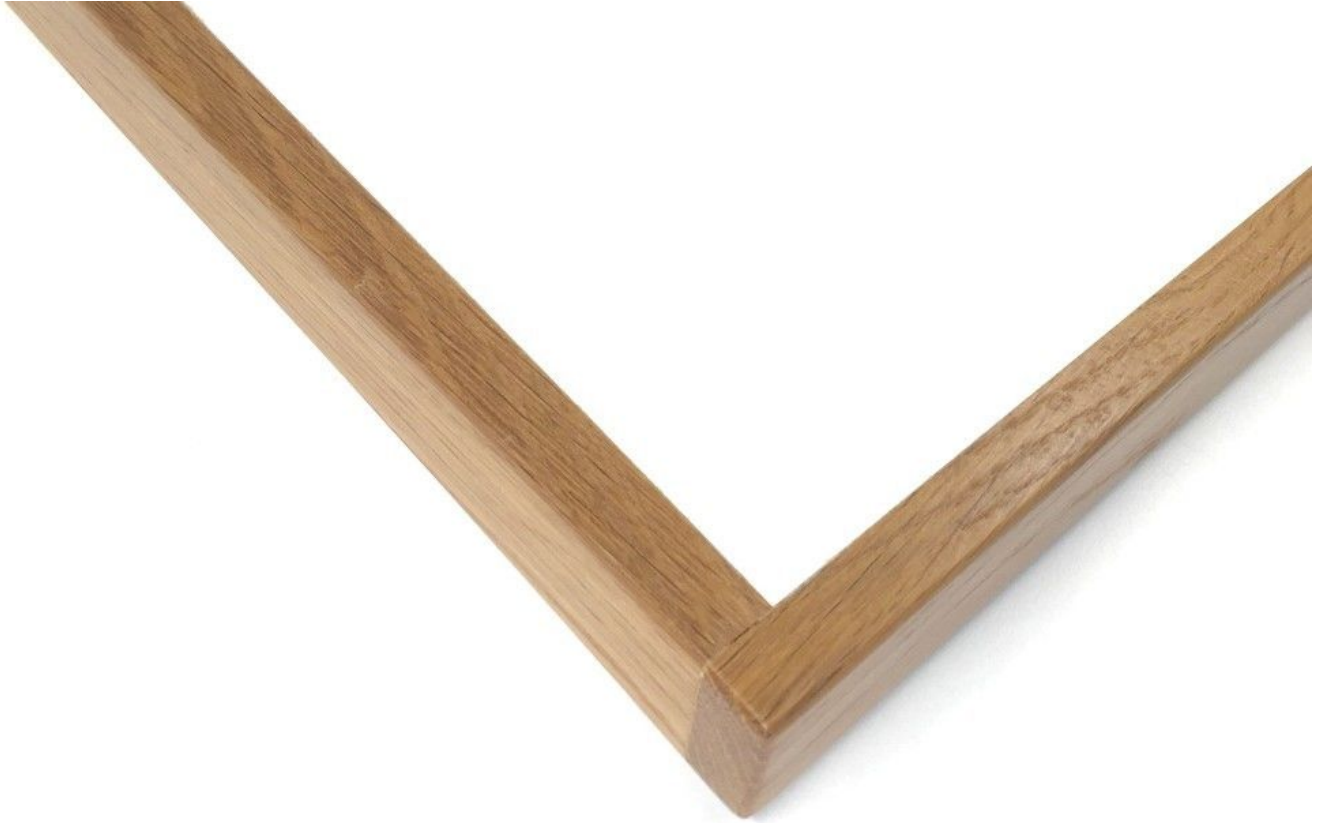
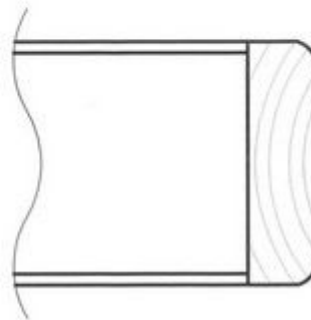
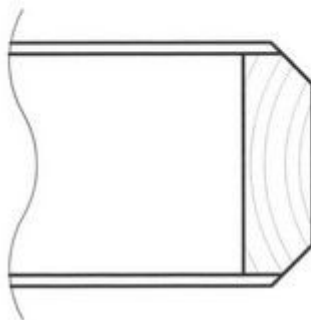
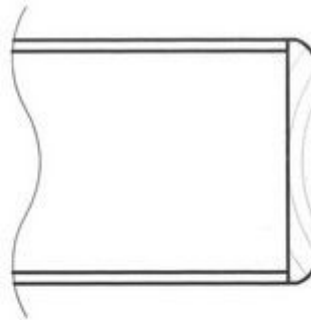
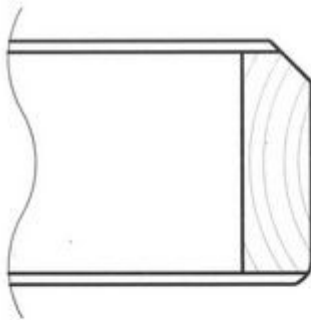
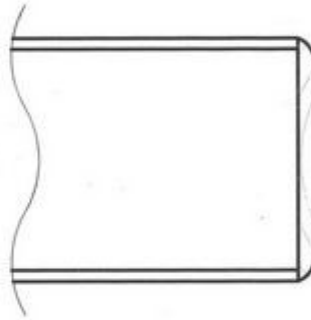
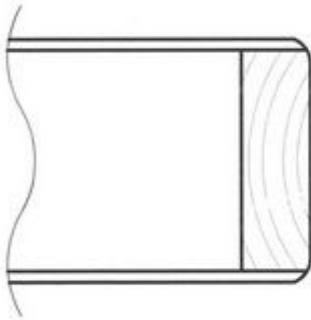


Solid wood edge moulded worktops



Hidden edge moulding

Surface edge moulding





Tälli Oy supplies laminate-coated, solid wood edge moulded worktops

Worktops can be edge moulded with solid wood edge mouldings; surface edge mouldings or hidden edge mouldings. The wood edge moulding or some of it remains between the laminates. Standard woods used in solid wood edge moulds are oak, birch and beech.

Standard base materials

- As a base, mainly chipboard sheets P2 are used
- The standard thickness of the worktops is 30 mm
- Worktops of different thicknesses and different humidity grades (P2 / P5) are available as project deliveries.

Colours and surface forms

Hidden and surface edge moulded worktops are available in virtually all patterns of the Formica

Valmistus

Tälli Oy
Hallikuja 5
42800 Haapamäki
tilauskäsittely@tallioy.com

Collection Directory. The surface forms of the laminate are in accordance with the Formica Collection.

Edge forms and edge mouldings

Surface edge mouldings

Wooden edge mould strength as standard 5 mm. The surface of the edge moulding is planed wood, lacquered or stained.

Hidden edge mouldings

Wooden edge mould strength as standard 5 mm. The surface of the edge moulding is planed wood, lacquered or stained.

Related PDF



- [Formica Collection Directory, English - 4,898.28 KB](#)